



OWNER'S MANUAL

O2-B™ Portable Oxygen Bar

Model CTA-08



Please read prior to using product.

Oxygen Is Beautiful™

TABLE OF CONTENTS

1. Introduction	1
2. Important Safety Rules	2
3. Getting Started	3
4. Product Overview	4
5. How To Operate Your O2-B™ Portable Oxygen Bar	5
6. Using Aromatherapy	7
7. Maintenance	8
8. Troubleshooting	11
9. Product Specifications	11
10. 30 Day Money Back Guarantee	12
11. Warranty Registration Card	12/13
12. One Year Limited Warranty	13
13. Order Form	14
14. Extended Warranty	Back Cover

INTRODUCTION

Thank you for purchasing the O2-B™* Portable Oxygen Bar! We are confident you will be completely satisfied with this product for many years to come. So confident in fact that, if you're not buzzing to everyone about the O2-B™ Portable Oxygen Bar after breathing fresh, clean oxygen enriched air for 30 days, you can simply return it! We offer a 30 Day Money Back Guarantee (less S&H)! We also offer a 1 Year Limited Warranty. Details on both are provided in this manual.

The O2-B™ Portable Oxygen Bar produces 40% pure oxygen. The unit plugs into a standard wall (115V) outlet and can be used most everywhere. It features a convenient carrying handle for easy transport.

This Owner's Manual will acquaint you with the O2-B™ Portable Oxygen Bar. Should you have any questions, your equipment provider will be happy to answer them for you. You can also visit www.o2-b.com or call us toll free at 866-432-0202.

Please be sure to read and understand all the information contained in this Owner's Manual before you operate your unit.



Oxygen is Beautiful... and you deserve to be too...
from the inside out!



You can feel confident knowing that this product is listed to applicable UL Standards and requirements by Underwriters Laboratories Inc. and bears the mark.



*O2-B™ is a trademark of O2 Innovations™

Disclaimer: Any practices or advice given or offered by O2 Innovations™ is not intended to replace the services of your physician, or to provide an alternative to professional medical treatment. Where it suggests the possible usefulness of certain practices in relation to certain illnesses or symptoms, it does so solely for educational purposes—either to explore the relationship of natural breathing to health, or to expose the user to alternative healing approaches. None of these statements have been evaluated by the Food and Drug Administration. Products are not intended to diagnose, treat, cure or prevent any disease.

WARNING: Persons with any Medical Condition or Lung Disorder, including Asthma or Emphysema, should consult their Physician before using recreational oxygen. All products are for recreational use only. No medical claims are made nor should be made for any of these products shown. O2 Innovations™ cannot and does not offer medical advice. All products warranted and guaranteed. Seller is not responsible for shipping delays. ALL RIGHTS RESERVED: All images are protected under international copyright law. Original photography/graphics

©2005 O2 Innovations™ LLC; stock images from dreamstime® and Getty Images®.

IMPORTANT SAFETY RULES

When using electrical products, especially when children are present, basic safety precautions should always be followed. Read all instructions before using. Important information is highlighted by these terms:



DANGER - Urgent safety information for hazards that will cause serious injury or death.



WARNING - Important safety information for hazards that might cause serious injury.



CAUTION - Information for preventing damage to the product.



NOTE - Information to which you should pay special attention.



DANGER

To reduce the risk of serious or fatal injury from electrical shock:

1. DO NOT use while bathing.
 2. DO NOT place the product where it can be splashed by liquid or fall into bathtub, water or other liquid.
 3. DO NOT reach for the unit in the event the unit falls into water. Unplug the unit immediately, then send it to your dealer or O2-B™ authorized service center for examination or repair.
-



WARNING

1. Check the electrical rating on the unit label and wall outlet before connecting the power cord.
 2. Keep all electrical cords away from heated surfaces.
 3. DO NOT operate this unit if it:
 - has been dropped or knocked heavily.
 - has been splashed by liquid.
 - has a damaged cord or plug.
 - is not working properly.
 4. This device manufactures high levels of oxygen, which promotes rapid burning. DO NOT allow smoking or open flames within 5 feet of: (1) this device or (2) any oxygen carrying accessory. Use no oil, grease, or petroleum-based products on or near the unit. Disconnect the power cord from the electrical outlet before you clean or service the unit.
 5. If the unit is turned on but not in use, DO NOT leave the Headset under covering or chair cushions. The oxygen will make the material flammable. Set the power switch (marked as "I/O") located at the back of the unit to the "0" (off) position when the Oxygen Bar is not in use.
 6. Electrical shock hazard. DO NOT remove cover! Only your dealer or O2-B™ authorized technician should remove the cover.
 7. DO NOT use extension cords with this unit. DO NOT overload wall outlets.
-



CAUTION

DO NOT block the ventilation port located on the back of unit. DO NOT set base on carpet or other soft surface. This could cause air flow restriction and damage to unit.



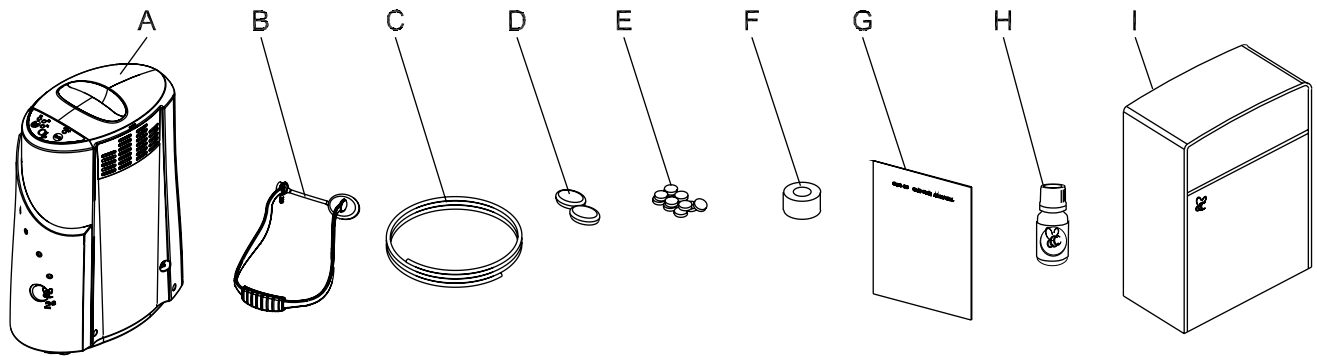
NOTE

DO NOT use the O2-B™ Portable Oxygen Bar more than 30 minutes per session.

GETTING STARTED

1. Open the box containing your O2-B™ Portable Oxygen Bar; check the contents and make sure the following components are enclosed:

- A. O2-B™ Unit
- B. Headset
- C. Headset Hose
- D. Mouthpiece Covers
- E. Mouthpiece Filters
- F. Air Intake Filter
- G. Owner's Manual with Warranty Card, Order Form, & Extended Warranty Offer
- H. Aromatherapy Bottle
- I. Unit Cover



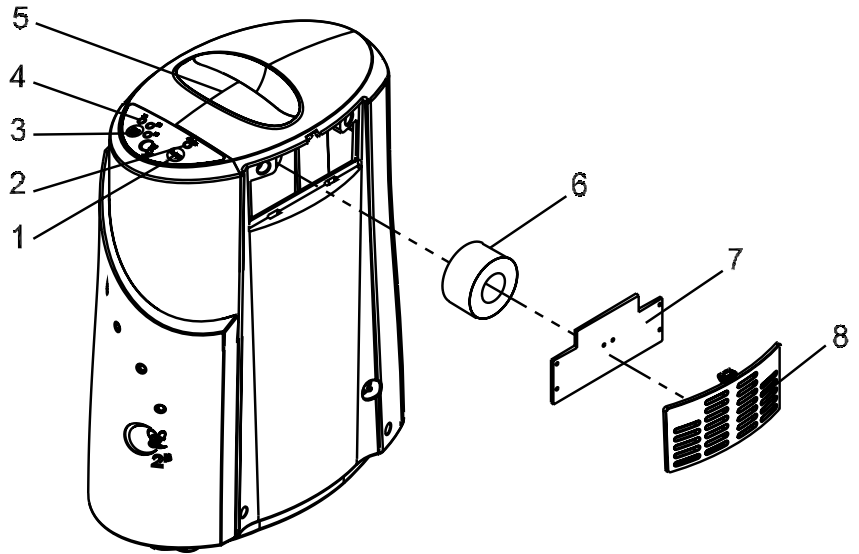
(Figure 1)

If there are missing items, please contact the dealer where you purchased your O2-B™ Portable Oxygen Bar.

2. Completely fill out the Warranty Card and return by mail.
3. It is recommended that you keep an extra Air Intake Filter on hand at all times as a replacement.

O2-B™ Portable Oxygen Bar PRODUCT OVERVIEW

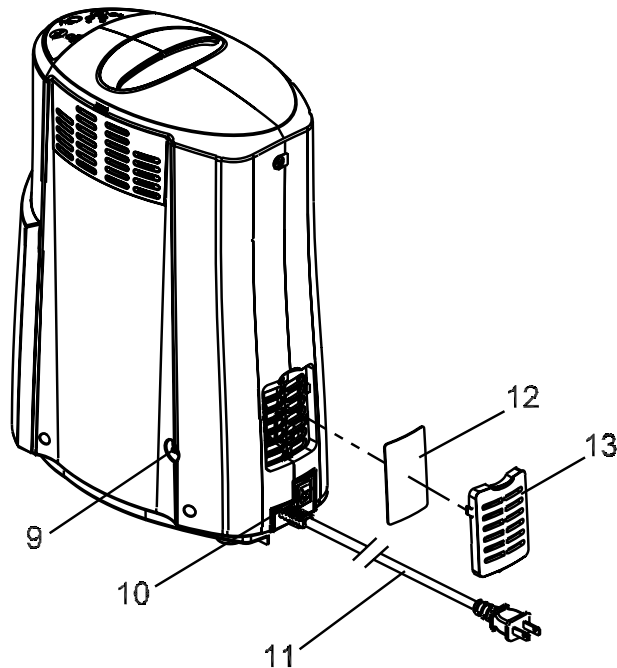
- 1. On/Off Button
- 2. Power On LED
- 3. Start Timer Button
- 4. Timer Indicator LED



(Figure 2)

- 5. Unit Handle
- 6. Air Intake Filter
- 7. Side Cabinet Filter
- 8. Side Cabinet Filter Cover

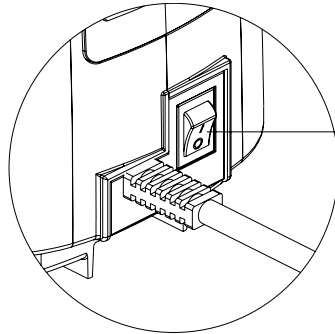
- 9. Oxygen Outlet
- 10. Power Switch
- 11. Power Cord
- 12. Rear Cabinet Filter
- 13. Rear Cabinet Filter Cover



(Figure 3)

HOW TO OPERATE YOUR O2-B™ Portable Oxygen Bar

1. Familiarize yourself with this unit.
2. Place unit on a stable, flat surface which is clean and free of dust. DO NOT set base on carpet or other soft surface. This could cause air flow restriction and damage to unit.
3. Check to see that the Power switch is in the "OFF" position. Plug power cord into electrical outlet.



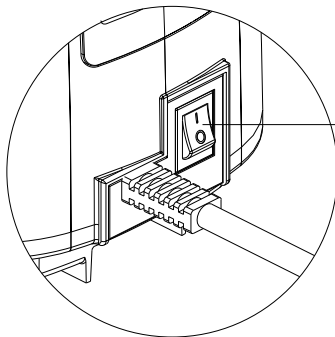
Power Switch
"OFF" Position

NOTE

Before attempting to start a cold unit, let the unit reach room temperature.

(Figure 4)

4. Press the Power Switch (at the rear lower position) to "I" (ON) position.



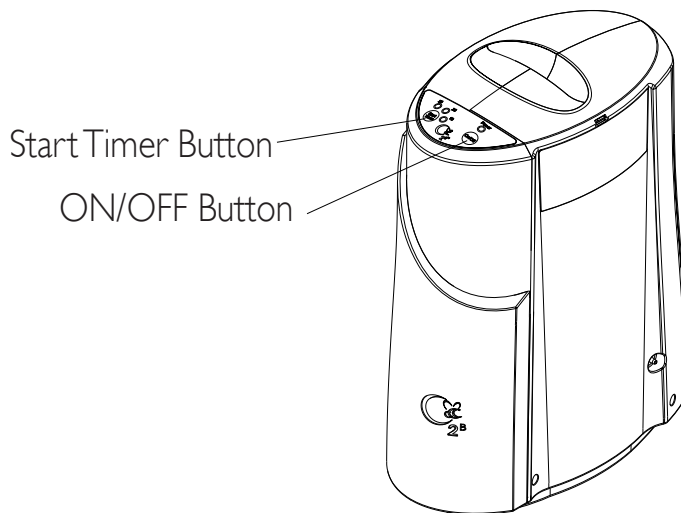
Power Switch
"ON" Position

(Figure 5)

5. Press the ON/OFF button first and then press the Start Timer Button to start the unit.

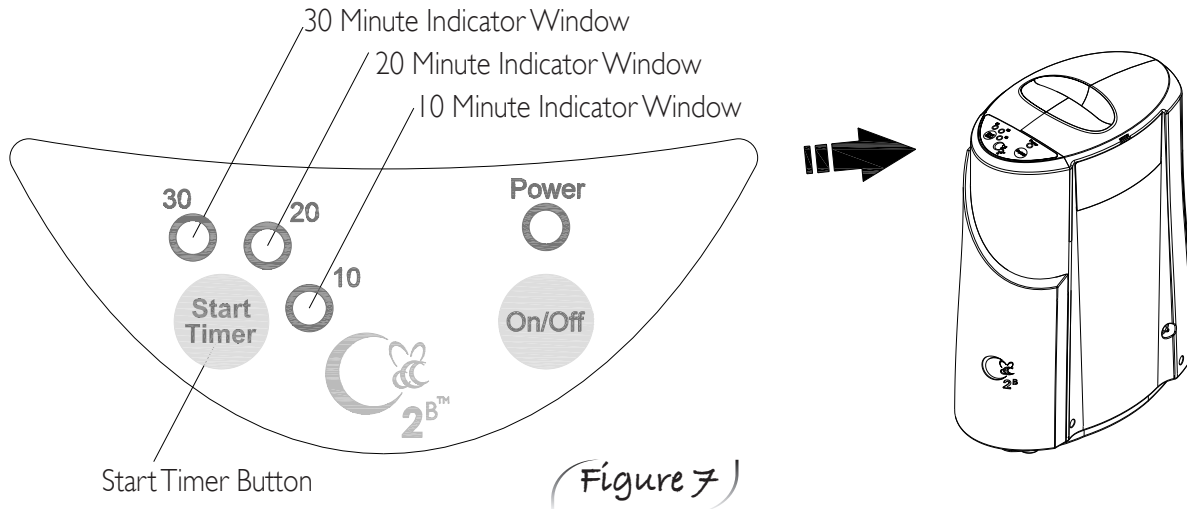
NOTE

Do not use the O2-B™ Portable Oxygen Bar more than 30 minutes per session.



(Figure 6)

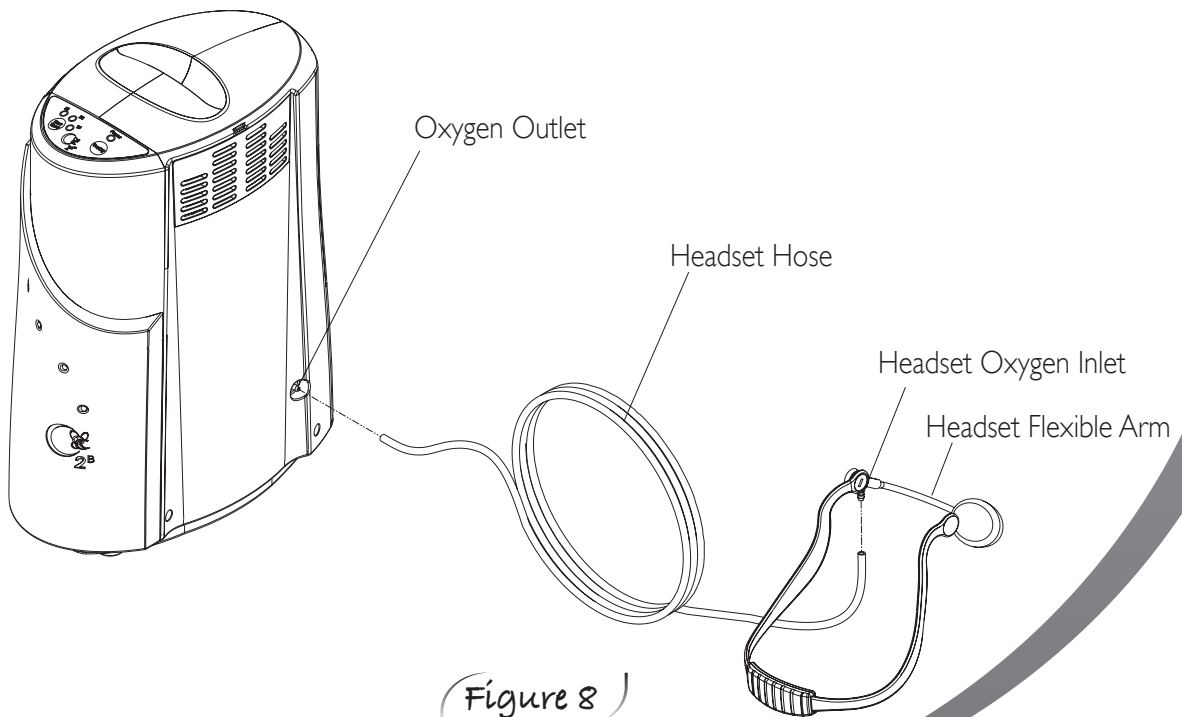
6. Set the running time by pressing the Start Timer Button as follows:
 - A. Press the Button one time and the unit will run 10 minutes, and the 10 minute indicator window will light.
 - B. Press the Button two times and the unit will run 20 minutes and the 20 minute indicator window will light.
 - C. Press the Button three times and the unit will run 30 minutes and the 30 minutes indicator window will light.
 - D. Press the Button a fourth time and the unit running time will be circulated to 10 minutes.



! NOTE

For optimal results, use your O2-B™ Portable Oxygen Bar daily.

7. Connect the Headset Hose to the Oxygen Outlet of O2-B™ Portable Oxygen Bar.



8. Position the Headset over your ears and adjust the position of the flexible arm by moving the arm in an up/down direction. Gently bend the flexible arm and place the mouthpiece 1/2 to 1 inch away from your nose. You may also place the mouthpiece 1/2 to 1 inch away from your mouth. If breathing through your nose, exhale through your mouth. If breathing through your mouth, exhale through your nose.



(Figure 9)

9. Take slow, even breaths for maximum benefit.
10. When the unit runs to the set time, the unit will stop automatically.
11. If want to run the unit again, repeat steps 5 to 6.
12. If the unit will not be used for a period of time, remove the power cord from electrical outlet.
13. When the unit is not in use, store the Headset and Headset Hose in the pocket of the Unit Cover.

USING AROMATHERAPY

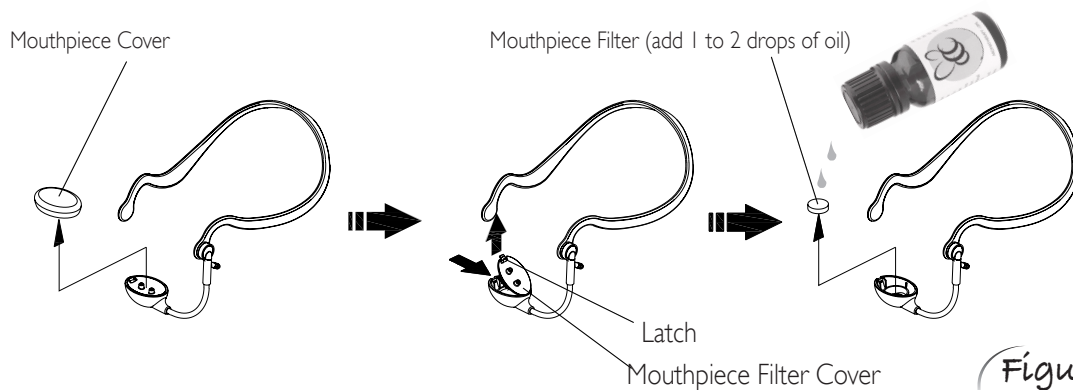
1. Remove the cloth Mouthpiece Cover from the Headset.
2. Press the latch on the Mouthpiece Filter Cover and remove cover.
3. Place no more than 1 to 2 drops of the aromatherapy provided with your O2-B™ Unit on the Mouthpiece Filter (additional filters may be purchased from a dealer near you or at o2-b.com).
4. Reinstall the Mouthpiece Filter Cover and cloth Mouthpiece Cover.

! NOTE

The aromatherapy product provided with your O2-B™ Unit is non-toxic and is made from pure plant based extracts. Using any aromatherapy not recommended by or purchased from O2-B™ may be harmful to your health, may damage the product and will void the warranty.

! NOTE

DO NOT swallow. Keep away from eyes. DO NOT use if pregnant. DO NOT use if you have asthma, epilepsy or allergies. DO NOT put on skin. Keep away from children and pets. Wash hands after use. Wipe spills immediately if product comes in contact with wooden surfaces, plastic or fabric.



(Figure 10)

MAINTENANCE

! DANGER

Electrical shock hazard.

Do not attempt to open cabinet. If service is required, return unit to a qualified O2-B™ dealer or an authorized service center. Opening or tampering with the unit will void warranty.

! DANGER

Electrical shock hazard.

Turn off the unit and remove the Power Cord from the electrical outlet before maintenance.

Cleaning the O2-B™ Portable Oxygen Bar and Accessories

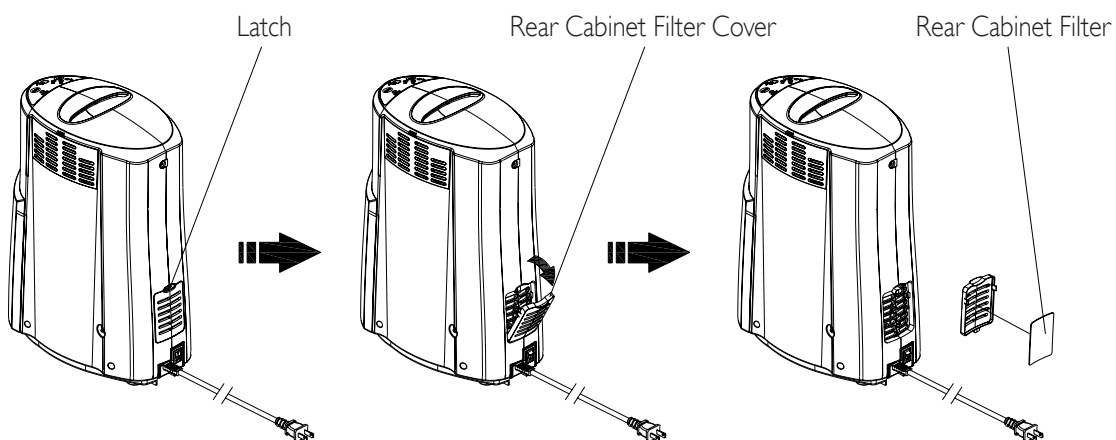
Please clean regularly to maintain your O2-B™ products in good condition. Refer to instructions below.

Cleaning the Cabinet

1. With the power switch in the "Off" position, disconnect the O2-B™ Unit from all external power sources.
2. Wipe the cabinet with a soft, clean cloth.

Cleaning the Rear Cabinet Filter and Cover: (Recommended weekly)

1. With the Power Switch in the "Off" position, disconnect the O2-B™ Unit from all external power sources.
2. Pull the tab on the latch of the Rear Cabinet Filter Cover with index and middle fingers to open it.
3. Take out the Rear Cabinet Filter.
4. Rinse it thoroughly with warm tap water.
5. Shake out water, put it in a dry place and allow it to air dry.
6. Replace the Rear Cabinet Filter.
7. Replace the Rear Cabinet Filter Cover.
8. Clean the Rear Cabinet Filter Cover once a week. Remove dust on filter cover by using a vacuum cleaner for household use.



(Figure 11)

Changing the Air Intake Filter: (Recommended Every 3 Months)

1. With the Power Switch in the "Off" position, disconnect the O2-B™ Unit from all external power sources.
2. Press the latch on Side Cabinet Filter Cover and open the cover.
3. Replace the used Air Intake filter with a new one (Additional filters may be purchased from the dealer near you or at o2-b.com).
4. Reinstall Side Cabinet Filter Cover.

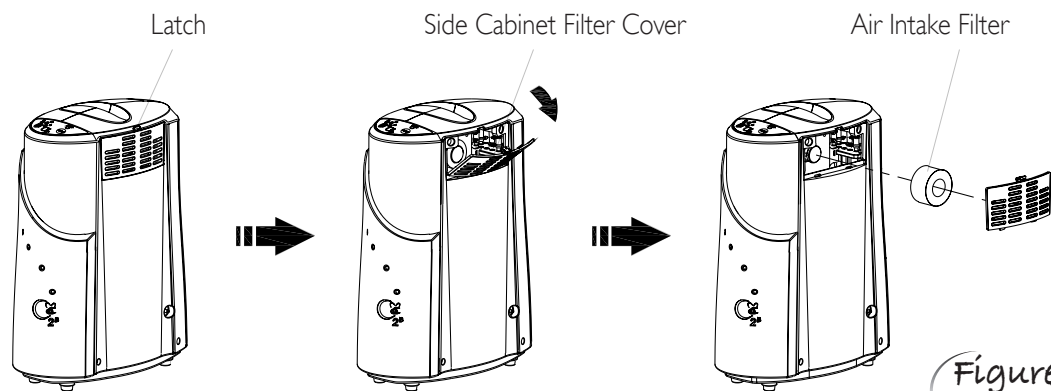


Figure 12

NOTE

Do not substitute any other material for this Air Intake Filter. Substitution may lead to contamination or poor performance; use only O2-B™ CTA-08 filters. (Item # AF-100)

Cleaning the Side Cabinet Filter and Cover: (Recommended Weekly)

1. With the Power Switch in the "Off" position, disconnect the O2-B™ Unit from all external power sources.
2. Pull the tab on the latch of the Side Cabinet Filter Cover with index and middle fingers to open it.
3. Take out the Side Cabinet Filter.
4. Rinse it thoroughly with tap water.
5. Shake out water and put it in a dry place and allow it to air dry.
6. Replace the Side Cabinet Filter.
7. Replace the Side Cabinet Filter Cover.
8. Clean the Side Cabinet Filter Cover once a week. Remove dust on Filter Cover by using a vacuum cleaner for household use.

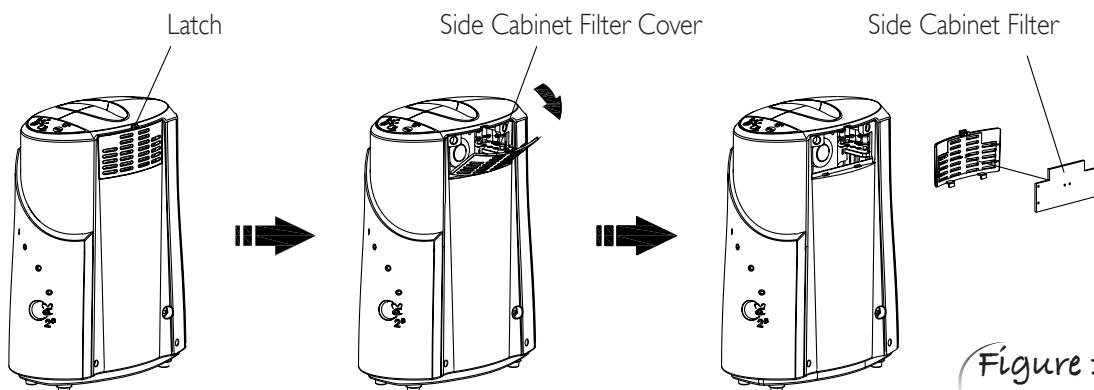


Figure 13

Mouthpiece Filter Change:

1. Remove the cloth Mouthpiece Cover from the Headset.
2. Press the latch on the Mouthpiece Filter Cover and remove the cover.
3. Replace the used Mouthpiece Filter with a new one (additional filters may be purchased from a dealer near you or at o2-b.com).
4. Reinstall Mouthpiece Filter Cover and cloth Mouthpiece Cover.
5. Replace Mouthpiece filter monthly.
6. Change Mouthpiece Filter every time a different aromatherapy essential oil is used.

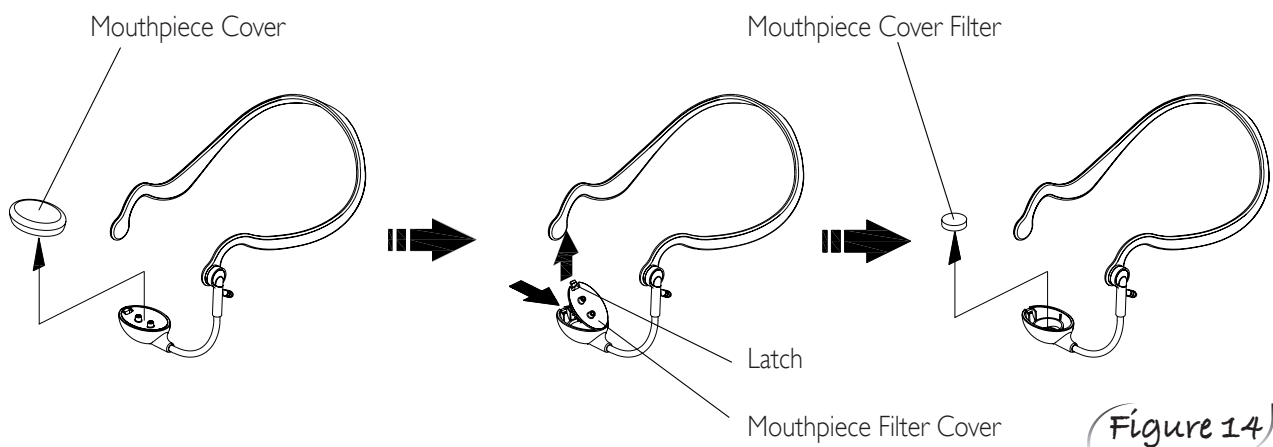


Figure 14

Cleaning the Headset Hose and Headset:

1. Separate headset hose from unit and from headset. (Reverse directions on page 6, Figure 8).
2. Remove Mouthpiece Filter from Headset. (See Mouthpiece Filter Change above)
3. Soak Hose and Headset in warm water and an anti-bacterial/germicidal soap for 2-3 minutes.
4. Rinse thoroughly with warm water.
5. Allow to air dry in a clean, shady area.
6. Re-attach the parts to the unit:
 - Insert the Mouthpiece Filter into the Headset and replace the Mouthpiece Filter Cover.
 - Connect one end of the Headset Hose to the Unit.
 - Connect the other end of the Headset Hose to the Headset Oxygen Inlet.

! NOTE

DO NOT use washing detergent, benzene, thinner or alcohol, etc. It may damage, deteriorate or discolor the product.

DO NOT dry the product with a hair dryer or heater. It may cause deterioration or breakdown of the product.

TROUBLESHOOTING

Your O2-B™ CTA-08 Portable Oxygen Bar contains no user-serviceable parts. If you believe your unit is not working properly, **BEFORE YOU RETURN IT TO THE DEALER WHERE YOU PURCHASED IT OR TO O2-B™**, please take a few moments to check for these possible causes:

PROBLEM	ACTION
Unit does not turn on.	<ol style="list-style-type: none"> 1. Check power sources and connections. 2. Check that your wall outlet is live. 3. Check that power cord is not damaged.
Motor runs, but no oxygen is emitted.	<ol style="list-style-type: none"> 1. Check all hose connections. 2. Check for damaged hoses or hose kinks. 3. Check that filters are clean.
Limited oxygen flow	<ol style="list-style-type: none"> 1. Check for damaged hoses or hose kinks. 2. Check voltage of wall outlet. 3. Check that filters are clean.
Emitted oxygen produces an unpleasant odor	<ol style="list-style-type: none"> 1. Clean hoses. (Refer to page 10) 2. Clean headset. (Refer to page 10) 3. Replace mouthpiece filter. (Refer to page 10)

O2-B™ CTA-08 Portable Oxygen Bar SPECIFICATIONS

Weight: (Compressor only) Dimensions: (Compressor only)	15 pound (6.8 kg) (L) 6.4" x (W) 11.9" x (H) 16.3" (162 x 303 x 415 mm)
Electrical Requirements: Power Wattage: Oxygen Concentration: Oxygen Output Capacity:	A/C 115V~60Hz 100 watts under normal load 40% (+/- 2%) 3 LPM (liters per minute)
Ambient Operation Temperature Range: Humidity Range:	50° to 95°F (10° to 35°C) 30% to 75%
Transport/Storage Ambient Temperature: Humidity:	-13° to 158°F (-25° to 70°C) 10% to 90%

- 41. Wildlife/Environmental Issues
- 42. Dieting/Weight Control
- 43. Science/New Technology
- 44. Self-Improvement
- 45. Walking for Health
- 46. Watching Sports on TV
- 47. Home Video Recording
- 48. Moneymaking Opportunities



Thank you for taking the time to answer these questions. Your responses will help O₂ Innovations™ deliver higher quality products and services in the future. We at O₂ Innovations™ would like to contact you from time to time with additional questions and information about future give-aways and new, innovative oxygen products and services, that will further enhance your enjoyment of life. If you would prefer not to participate in these additional mailings from O₂ Innovations™ please check here .

© 2005 O₂ Innovations™, LLC All rights reserved.

One Year Limited Warranty

The compressor portion of the O₂-B™ Portable Oxygen Bar is warranted to be free from defective workmanship and materials for a period of one (1) year from date of purchase.

Any defective part(s) will be repaired or replaced at the option of O₂ Innovations™ if the unit has not been tampered with or used improperly during that period. Make certain that any malfunction is not due to inadequate cleaning or failure to follow the instructions. If repair is necessary, contact your O₂ Innovations™ Equipment Provider or O₂ Innovations™ for instructions.

NOTE

This warranty does not cover providing a loaner unit, compensating for costs incurred in rental while said unit is under repair, or costs for labor incurred in repairing or replacing defective part(s).

Normal wear and tear are not covered by this warranty. This warranty extends only to the original consumer purchaser and is not transferable. In addition, proof of purchase must be demonstrated. This warranty is void if the product has been subject to accident, misuse, abuse, shipment or transit; improper maintenance or repair; or unauthorized modification or repair. This warranty does not apply to repairs or replacement in the case of improper storage, improper care or cleaning; use of unauthorized parts, accessories or attachments; operations contrary to manufacturer's operating instructions; damage caused by electrical power wiring, systems or utilities; fire, flood, natural disasters or conditions beyond the control of the owner, operator, or O₂ Innovations™. This limited warranty is the only written or express warranty given by O₂ Innovations™ unless an extended warranty is purchased by the consumer.

Repair or replacement of the product (or, if repair or replacement is not feasible, a refund of the purchase price) is the exclusive remedy of the consumer under this warranty. You acknowledge and agree that replacement product, at the sole option of O₂ Innovations™, may be a new, renewed or comparable product. A replacement product is covered only for the original warranty period. When the warranty on the original product expires, the warranty on the replacement product also expires.

THERE IS NO OTHER EXPRESS WARRANTY. IMPLIED WARRANTIES, INCLUDING THOSE OF MERCHANTABILITY AND FITNESS FOR A PARTICULAR PURPOSE, ARE LIMITED TO THE DURATION OF THE EXPRESS LIMITED WARRANTY AND TO THE EXTENT PERMITTED BY LAW ANY AND ALL IMPLIED WARRANTIES ARE EXCLUDED. THIS IS THE EXCLUSIVE REMEDY AND LIABILITY FOR CONSEQUENTIAL AND INCIDENTAL DAMAGES UNDER ANY AND ALL WARRANTIES ARE EXCLUDED TO THE EXTENT EXCLUSION IS PERMITTED BY LAW. SOME STATES DO NOT ALLOW LIMITATIONS ON HOW LONG AN IMPLIED WARRANTY LASTS, OR THE LIMITATION OR EXCLUSION OF CONSEQUENTIAL OR INCIDENTAL DAMAGES, SO THE ABOVE LIMITATION OR EXCLUSION MAY NOT APPLY TO YOU.

This warranty gives you specific legal rights, and you may also have other rights, which vary from state to state.

Procedure for Warranty Repairs or Replacement

If warranty service is necessary, the original purchaser must use the "Contact Us" link at o2-b.com or call O₂ Innovations™ at (866) 432-0202, in advance, for a Return Merchandise Authorization number. This number must be marked clearly on the exterior of the package. The original purchaser must pack the complete O₂-B™ Portable Oxygen Bar unit securely and send it postage paid with a description of the defect, your name, address and telephone number; proof of purchase and a check or money order for \$25.00 to cover return postage and handling to O₂ Innovations™, 600 Luzerne Avenue, West Pittston, PA 18643, or to an Authorized Service Center; as directed by O₂ Innovations™.

We will not process returns that are missing proper documentation and/or shipping and handling charges.

Remember...

Please record below the model and serial numbers found on the product and the purchase date. Also, please fill out the warranty/product registration card promptly. It will be easier for us to notify you if necessary.

MODEL # _____

SERIAL # _____

DATE PURCHASED _____

CUT ✂

✂

✂

TAPE HERE

FOLD LINE
Please seal with tape. DO NOT STAPLE.

TAPE HERE



FOLD LINE



O2 INNOVATIONS
 600 LUZERNE AVE STE 3
 WEST PITTSBURGH PA 15236-1660



CTA-08

First-Class
 Postage Required
 Post Office will
 not deliver
 without proper
 postage.

Order Form

REMEMBER to order extra filters to keep your O2-B™ Portable Oxygen Bar in top condition for many years of happy, healthy breathing! Try a different aromatherapy essential oil and order an O2-B™ Portable Oxygen Bar for a friend!

CD-100 Set of Relaxation CDs (6)



OH-100 Aromatherapy (10 ML bottle) Bee Happy



OC-100 Aromatherapy (10 ML bottle) Bee Calm



MF-100 Mouthpiece Filters (12 pack)



RF-100 Rear Cabinet Filter



SF-100 Side Cabinet Filter



MC-100 Mouthpiece Covers (2 pack)



AF-100 Air Intake Filter



HS-100 Headset



HO-100 Headset Hose

CUT ✂



O2-B™ Portable Oxygen Bar & Accessories Order Form

CUSTOMER INFORMATION (please print)

NOTE: No delivery to P.O. Boxes or APO addresses.

Name

M.I.

Last Name

Complete Street Address

Apt. / Suite #

City

State

ZIP Code

Daytime Phone Number

E-Mail

ORDER INFORMATION

Item #	Item	Quantity	Regular Price	Promo Code	Total
CTA-08	O2-B™ Portable Oxygen Bar	<input type="checkbox"/>	\$ 699.00 each	_____	\$ _____
HS-100	Headset (includes 12 filters, 2 mouthpiece covers)	<input type="checkbox"/>	\$ 39.95 each		\$ _____
HO-100	Headset Hose (6.5 feet)	<input type="checkbox"/>	\$ 14.95 each		\$ _____
MF-100	Mouthpiece Filters (12 pack)	<input type="checkbox"/>	\$ 12.95 each		\$ _____
AF-100	Air Intake Filter	<input type="checkbox"/>	\$ 12.95 each		\$ _____
MC-100	Mouthpiece Covers (2 pack)	<input type="checkbox"/>	\$ 14.95 each		\$ _____
RF-100	Rear Cabinet Filter	<input type="checkbox"/>	\$ 11.95 each		\$ _____
SF-100	Side Cabinet Filter	<input type="checkbox"/>	\$ 11.95 each		\$ _____
CD-100	Set of Relaxation CDs (6)	<input type="checkbox"/>	\$ 60.00 each set	\$ 29.95 each set	\$ _____
OH-100	Aromatherapy (10 ML bottle) Bee Happy	<input type="checkbox"/>	\$ 18.00 each		\$ _____
OC-100	Aromatherapy (10 ML bottle) Bee Calm	<input type="checkbox"/>	\$ 18.00 each		\$ _____

SHIPPING & HANDLING

Shipping & Handling for the O2-B™ Portable Oxygen Bar is FREE in the Continental United States.

For all shipments of any product outside the Continental United States, call for shipping rates.

For all other items include \$ 4.95 S/H EACH \$ _____

PA Residents include 6% Sales Tax \$ _____

Total Amount Due \$ _____

Please Make Check or Money Order payable to: O2 Innovations™

METHOD OF PAYMENT: DO NOT SEND CASH

Check Money Order VISA Mastercard American Express Discover

Allow 2-6 weeks for delivery

Credit Card #: _____ CVM#: _____ (This is the 3 or 4 digit code on the front or back of your credit card) Exp. Date: _____

Card Holder's Signature: _____ Name as it appears on card: _____ (Please Print)

Fax order to: 570-655-7710 or Place order form and payment in envelope and send to: O2 Innovations™ 600 Luzerne Avenue, West Pittston, PA 18643.
You may also order at www.o2-b.com or by calling 866-432-0202. Credit card orders only please. Prices subject to change without notice.



PLEASE COMPLETE AND FORWARD THIS CARD WITHIN 30 DAYS.

PROTECT YOUR INVESTMENT

Extended Warranty

Don't Fix It... Exchange It! Protect your investment and breathe easy! Receive a one-time replacement of your O2-B™ Portable Oxygen Bar, quick and hassle free, following your existing warranty. Insured by AIG - one of the world's leading insurance providers.

Name: _____
 Address: _____ Suite/Apt/Box: _____
 Phone: (____) _____ Email: _____
 City: _____ State: _____ Postal Code: _____
 Model #: _____ Serial #: _____
 Date Purchased: _____
 Product Price: \$ _____ Warranty Price: \$ _____
 PA Residents Add 6% Sales Tax: \$ _____
 Total: \$ _____

DO NOT SEND CASH

Please Make Check or Money Order payable to: O2 Innovations™

Check
 Money Order
 VISA
 Mastercard
 American Express
 Discover
 Credit Card #: _____ CVM#: _____ (This is the 3 or 4 digit code on the front or back of your credit card)
 Expiration Date: _____ Signature: _____
 Name On Card: _____ (Please Print)

Mail to: O2 Innovations™, 600 Luzerne Avenue, West Pittston, PA 18643

*Terms & conditions should be reviewed for applicable exclusions. Available Only in 50 states & Puerto Rico.

If you have any questions or need more information, please visit www.o2-b.com. To order by phone, please call 866-432-0202.



Following Your Existing Warranty

1 Year Warranty
\$99.00

2 Year Warranty
\$149.00

Oxygen Is Beautiful™

CUT & SEND ✂

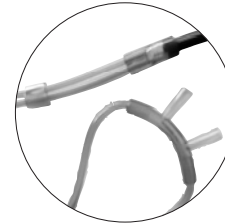


HOW TO CONNECT THE NOSE HOSE to the Headset Hose of Your O2-B™ Portable Oxygen Bar

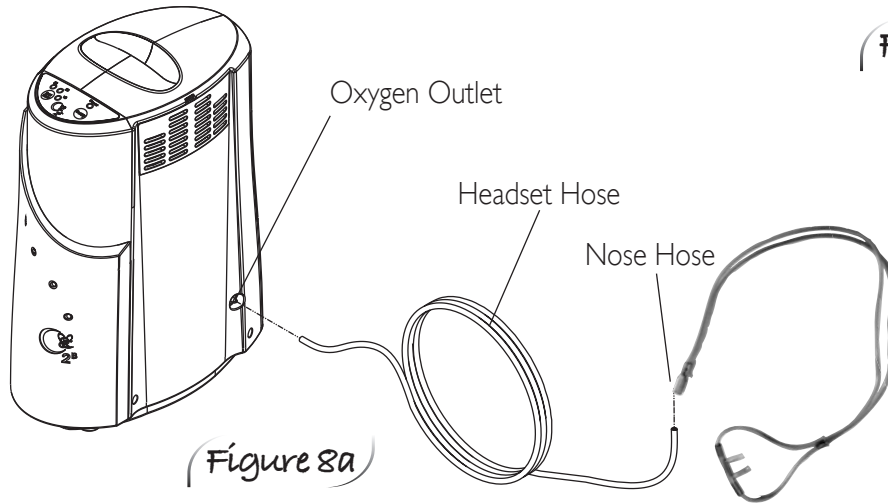
1. Connect one end of the Headset Hose to the Oxygen Outlet of the O2-B™ Portable Oxygen Bar as shown in the Owner's Manual on Page 6 in Figure 8.
2. Connect the other end of the Headset Hose to the end of the Nose Hose. See Figure 8a below.
3. See Figure 8b to position the Nose Hose comfortably on your head.



(Figure 8b)



Nose Hose close-up shows
attachment to Headset Hose and
Nasal Inserts



(Figure 8a)